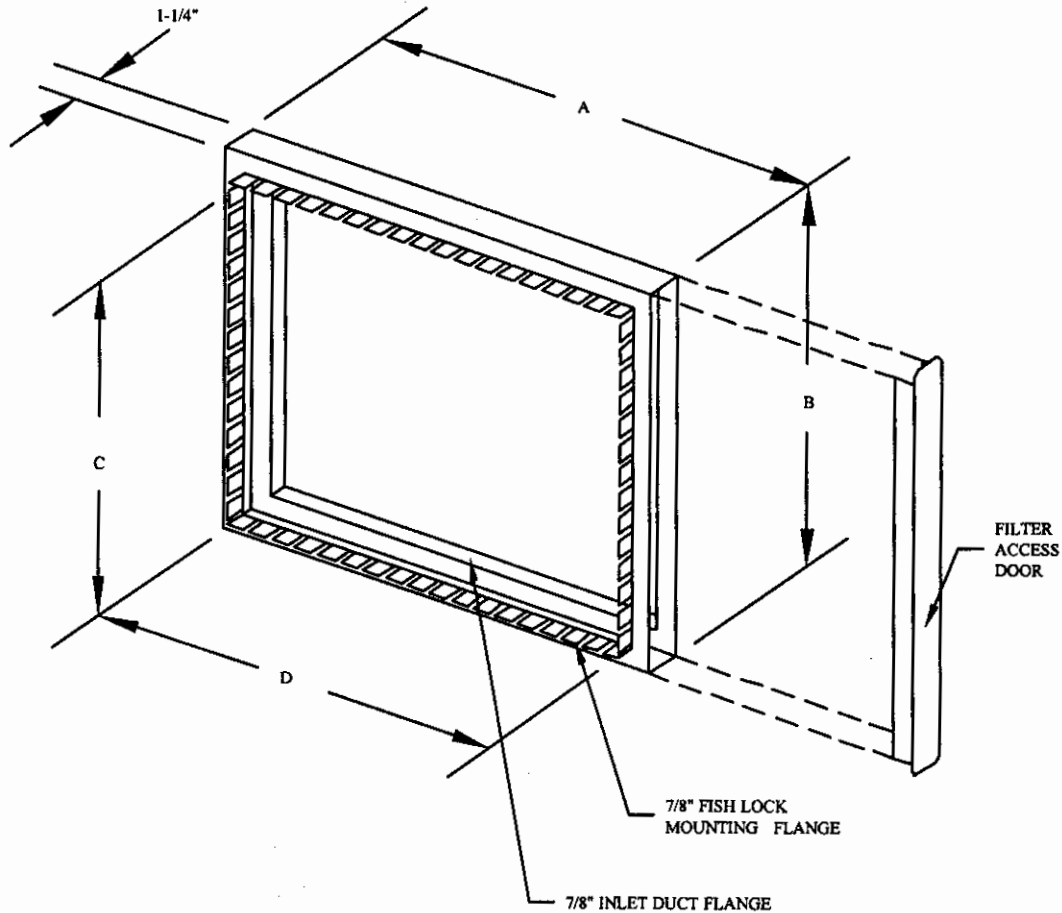


**SPECIFICATIONS**

- Galvanized steel construction
- Suitable for 1" thick filter, filter opening is 1/4" larger than actual size of filter
- Flanged connection for easy duct mounting
- Notched connection for easy mounting to furnace intake
- Snap-in full height access door for easy installation of filter

DIMENSIONS				
A	B	C	D	FILTER SIZE
25"	16"	14"	23"	16 x 25 x 1"
20"	20"	18"	18"	20 x 20 x 1"
20"	16"	14"	18"	16 x 20 x 1"

NOTE: FILTER NOT INCLUDED.



Dwg #	FF-001	<b>GULF-O-TECH FILTER FRAME</b>	PROJECT	
Drawn By	P.P.		ENGINEER	
DATE	MAR.21.08		DATE SUBMITTED	

SPINN